



## Assembly and Operating Instructions for Outback® Stainless Steel Column Heater



Drawings are not to scale.  
Specifications subject to change  
without prior notice.

**OUT370663/PH500**

**CE** 17  
0063

### FOR YOUR SAFETY

If you smell gas:

1. Shut off gas to the appliance.
2. Extinguish any open flame.
3. If odor continues, immediately call your gas supplier or your fire Department.

### FOR YOUR SAFETY

1. Do not store or use gasoline or other flammable vapors and liquids in the vicinity of this or any other appliance.
2. An LP cylinder not connected for use shall not be stored in the vicinity of this or any other appliance.

# WARNING SAFETY RULES

PLEASE READ THE FOLLOWING SAFETY RULES PRIOR TO OPERATION OF THE HEATER

## ***FOR YOUR SAFETY***

If you smell gas:

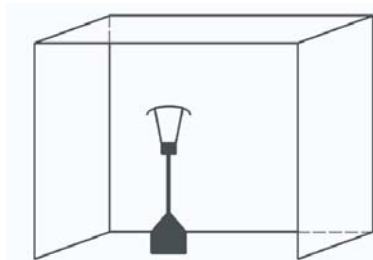
1. Shut off gas to the appliance.
2. Extinguish any open flame.
3. If odor continues, immediately call your gas supplier or your fire Department.

## ***FOR YOUR SAFETY***

1. Do not store or use gasoline or other flammable vapors and liquids in the vicinity of this or any other appliance.
2. An LP cylinder not connected for use shall not be stored in the vicinity of this or any other appliance.

## WARNING

- 1) For use outdoors or in amply ventilated areas.
- 2) An amply ventilated area must have a minimum of 25 % of the surface area open.
- 3) The surface area is the sum of the walls surface.



**WARNING:** Improper installation, adjustment, alteration, service or maintenance Can cause injury or property damage. Read the installation, operating and maintenance instructions thoroughly before installing or servicing this equipment.

# warning

## ***Read the instructions before installation and use.***

- This appliance must be installed and the gas cylinder stored in accordance with the regulations in force;
- Do not obstruct the ventilation holes of the cylinder housing;
- Do not move the appliance when in operation;
- Shut off the valve at the gas cylinder or the regulator before moving the appliance;
- The tubing or the flexible hose must be changed within the prescribed intervals;
- Use only the type of gas and the type of cylinder specified by the manufacturer;

The LP tank used with your patio heater must meet the following requirements:

Purchase LP tanks only with these required measurements:

(31.8cm) (diameter) x 58 cm) (tall) with 15kg capacity maximum.

- In case of violent wind particular attention must be taken against tilting of the appliance; Keep the appliance at least 1m from the gas cylinder.

A regulator(complies with EN16129:2013 and the national regulation) of the correct pressure corresponding to the appliance category.

Use 30mbar regulator for butane/propane under the category I3B/P(30).

Use 30mbar regulator for butane under the category I3+(28-30/37).

Use 37mbar regulator for propane under the category I3+(28-30/37).

Use 50mbar regulator for butane/propane under the category I3B/P(50).

It's recommended to use flexible hose that approved by EN16436:2014.

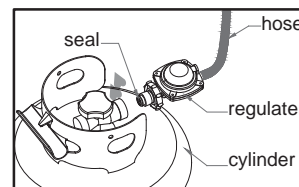
# TABLE OF CONTENTS

Caution .....	1
Heater Stand and Location .....	2
Gas Requirements .....	2
Leakage Test .....	2
Operation and Storage .....	3
Cleaning and Care .....	4
Parts and Specifications .....	4
Assembly Parts and Procedures .....	6
Problems Check List .....	12

# CAUTION

## PLEASE READ CAREFULLY THE FOLLOWING SAFETY GUIDELINES BEFORE OPERATION.

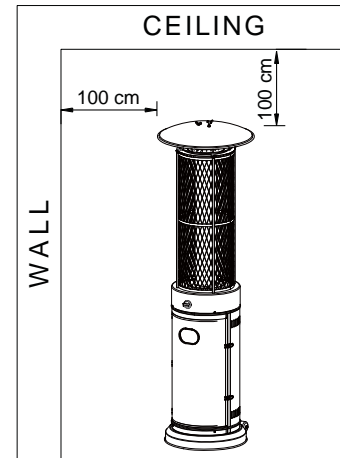
- Do not use the patio heater for indoors, as it may cause personal injury or property damage.
- This outdoor heater is not intended to be installed on recreational vehicles and/or boats.
- Installation and repair should be done by a qualified service person.
- Improper installation, adjustment, alteration can cause personal injury or property damage.
- Do not attempt to alter the unit in any manner.
- Never replace or substitute the regulator with any regulator other than the factory-suggested replacement.
- Do not store or use gasoline or other flammable vapors or liquids in the heater unit.
- The whole gas system, hose, regulator, pilot or burner should be inspected for leaks or damage before use, and at least annually by a qualified service person.
- All leak tests should be done with a soap solution. Never use an open flame to check for leaks.
- Do not use the heater until all connections have been leak tested.
- Turn off the gas valve immediately if smell of gas is detected. Turn Cylinder Valve OFF. If leak is at Hose/Regulator connection: tighten connection and perform another leak test. If bubbles continue appearing should be returned to hose's place of purchase. If leak is at Regulator/Cylinder Valve connection: disconnect, reconnect, and perform another leak check. If you continue to see bubbles after several attempts, cylinder valve is defective and should be returned to cylinder's place of purchase.
- Do not transport heater while it's operating.
- Do not move the heater after it has been turned off until the temperature has cooled down.
- Keep the ventilation opening of the cylinder enclosure free and clear of debris.
- Do not paint the radiant screen, control panel or top canopy reflector.
- Control compartment, burner and circulation air passageways of the heater must be kept clean. Frequent cleaning may be required as necessary.
- The LP tank should be turned off when the heater is not in use.
- Check the heater immediately if any of the following occurs:
  - The heater does not reach temperature.
  - The burner makes popping noise during use (a slight noise is normal when the burner is extinguished).
  - Smell of gas in conjunction with extreme yellow tipping of the burner flames.
- The LP regulator/hose assembly must be located out of pathways where people may trip over it or in area where the hose will not be subject to accidental damage.
- Any guard or other protective device removed for servicing the heater must be replaced before operating the heater.
- Adults and children should stay away from high temperature surface to avoid burns or clothing ignition.
- Children should be carefully supervised when they are in the area of the heater.
- Clothing or other flammable materials should not be hung on the heater or placed on or near the heater.
- To change the gas cylinder in a amply ventilated area, away from any ignition source (candle, cigarettes, other flame producing appliances, ...);
- To check that the regulator seal is correctly fitted and able to fulfill its function showed as photo right;
- To not obstruct the ventilation holes of the cylinder housing;
- To close the gas supply at the valve of the gas cylinder or the regulator after use;
- In the event of gas leakage, the appliance shall not be used or if alight, the gas supply shall be shut off and the appliance shall be investigated and rectified before it is used again;
- To check the hose at least once per month, each time the cylinder is changed, or each time before long time no use. If it shows signs of cracking, splitting or other deterioration it shall be exchanged for new hose of the same length and of the equivalent quality;
- The use of this appliance in enclosed areas can be dangerous and is PROHIBITED;
- Read the instructions before using this appliance. The appliance must be installed in accordance with the instructions and local regulations.
- For connection of hose and regulator, and connection of regulator and hose, please refer to photo showed above.



Hose/ Regulator connection and  
Regulator / Cylinder connection

## HEATER STAND AND LOCATION

- The heater is primarily for outdoor use only. Always ensure that adequate fresh air ventilation is provided.
- Always maintain proper clearance to non protected combustible materials i.e. top 100 cm and sides 100 cm minimum.
- Heater must be placed on level firm ground.
- Never operate heater in an explosive atmosphere like in areas where gasoline or other flammable liquids or vapors are stored.
- To protect heater from strong wind, anchor the base securely to the ground with screws.



## GAS REQUIREMENTS

- Use propane, butane or their mixtures gas only.
- The pressure regulator and hose assembly to be used must conform to local standard codes.
- The installation must conform to local codes, or in the absence of local codes, with the standard for the storage and handling of liquid petroleum gases.
- A dented, rusted or damaged tank may be hazardous and should be checked by your tank supplier. Never use a tank with a damaged valve connection.
- The tank must be arranged to provide for vapor withdrawal from the operating cylinder.
- Never connect an unregulated tank to the heater.

## LEAKAGE TEST

Gas connections on the heater are leak tested at the factory prior to shipment. A complete gas tightness check must be performed at the installation site due to possible mishandling in shipment or excessive pressure being applied to the heater.

- Make a soap solution of one part liquid detergent and one part water. The soap solution can be applied with a spray bottle, brush or rag. Soap bubbles will appear in case of a leak.
- The heater must be checked with a full cylinder.
- Make sure the safety control valve is in the OFF position.
- Turn the gas supply ON.
- In case of a leak, turn off the gas supply. Tighten any leaking fittings, then turn the gas supply on and re-check.
- Never leak test while smoking.

# OPERATION AND STORAGE

## TO TURN ON THE HEATER

1. Depress and turn control knob clockwise to OFF position.
2. Fully open gas valve.
3. Depress control knob and turn knob counterclockwise to IGNITE position, then to PILOT position (You should hear a clicking sound).
4. Keep the control knob depressed last for 60 seconds, then turn the control knob back to 'OFF' position.
5. Repeat step 3 several times until the pilot lights.

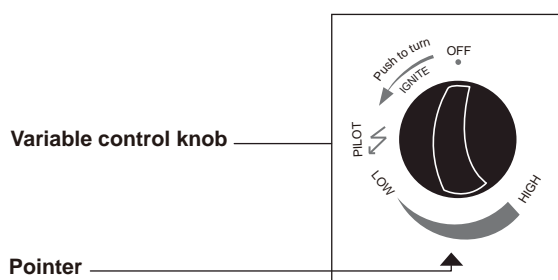
NOTE: If the pilot light has not ignited, turn heater control knob to OFF position, fully close gas valve, wait 5 minutes, then repeat steps 2–4 of the Lighting Instructions.

6. Push in and turn the control knob to LOW position, then release control knob. If you want a higher temperature, push in the control knob and turn counterclockwise to HIGH position.

**Warning:** check that no broken on the glass is found before operation.

## TO TURN OFF THE HEATER

1. Fully close gas valve.
2. Turn control knob clockwise to OFF position.



Off: the heater stop work  
Hi: maximum temperature position  
Lo: minimum temperature position

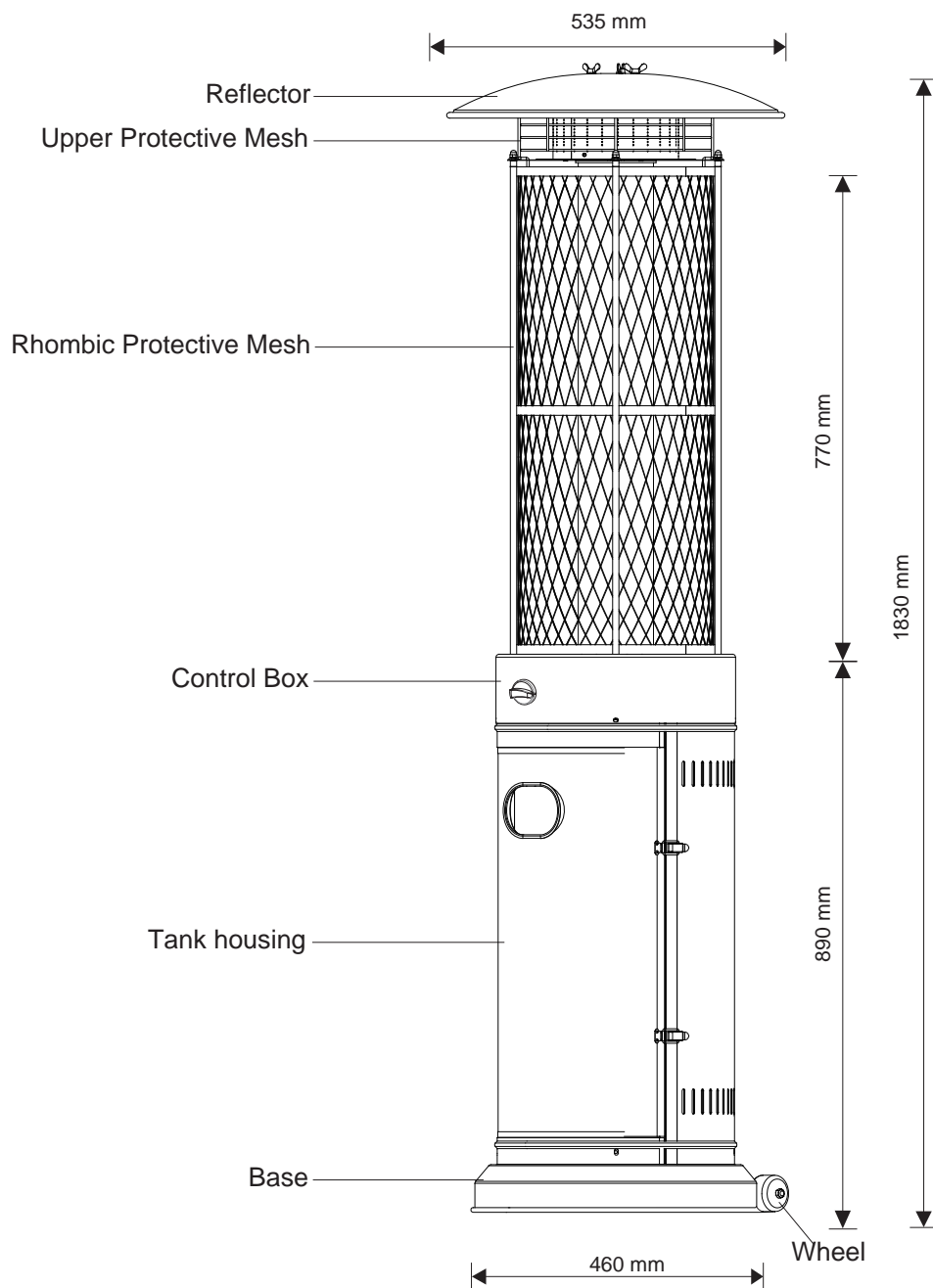
## **Storage**

1. Always close the gas valve of the gas cylinder after use or in case of a disturbance.
2. Remove the pressure regulator and the hose.
3. Check the tightness of the gas valve and for damage. If you suspect a damage, have it changed by your gas dealer.
4. Never store liquid gas cylinder in a sub-terrain, or at places without adequate air ventilation.

# CLEANING AND CARE

- Wipe off powder coated surfaces with soft, moist rag. Do not clean heater with cleaners that are combustible or corrosive.
- Remove debris from the burner to keep it clean and safe for use.
- Cover the burner unit with the optional protective cover when the heater is not in use.

# PARTS AND SPECIFICATIONS





### A. Construction and characteristics

- Transportable terrace/garden heater with tank housing.
- Casing in steel with powder-coating or in stainless steel.
- Gas hose connections with metal clamp (screw caps for Germany).
- Heat emission from reflector.

### B. Specifications

- Use propane, butane or their mixtures gas only.
- Max. wattage: 11000 watts
- Min. wattage: 5000 watts
- Consumption:

APPLIANCE CATEGORY:	I <sub>3+</sub> (28-30/37)		I <sub>3B/P</sub> (30)	I <sub>3B/P</sub> (50)	I <sub>3B/P</sub> (37)
TYPES OF GAS:	Butane	Propane	Butane, propane or their mixtures	Butane, propane or their mixtures	Butane, propane or their mixtures
GAS PRESSURE:	28-30mbar	37 mbar	30 mbar	50mbar	37mbar
OUTLET PRESSURE OF REGULATOR:	30mbar	37 mbar	30 mbar	50mbar	37mbar

- Using the proper regulator according to outlet pressure of regulator as showed in the table above.

### C. Table of injector

APPLIANCE CATEGORY:	I <sub>3+</sub> (28-30/37)		I <sub>3B/P</sub> (30)	I <sub>3B/P</sub> (50)	I <sub>3B/P</sub> (37)
TYPES OF GAS:	Butane	Propane	Butane, propane or their mixtures	Butane, propane or their mixtures	Butane, propane or their mixtures
GAS PRESSURE:	28-30mbar	37 mbar	30 mbar	50mbar	37mbar
TOTAL HEAT INPUT (Hs): (Qn)	11kW (G30:800g/h; G31:786g/h)				
INJECTOR SIZE:	1.70 mm for main burner 0.22 mm for pilot burner			1.35 mm for main burner 0.22 mm for pilot burner	1.48 mm for main burner 0.22 mm for pilot burner
The marking, for example, 1.70 on the injector, indicates that the size of injector is 1.70mm					

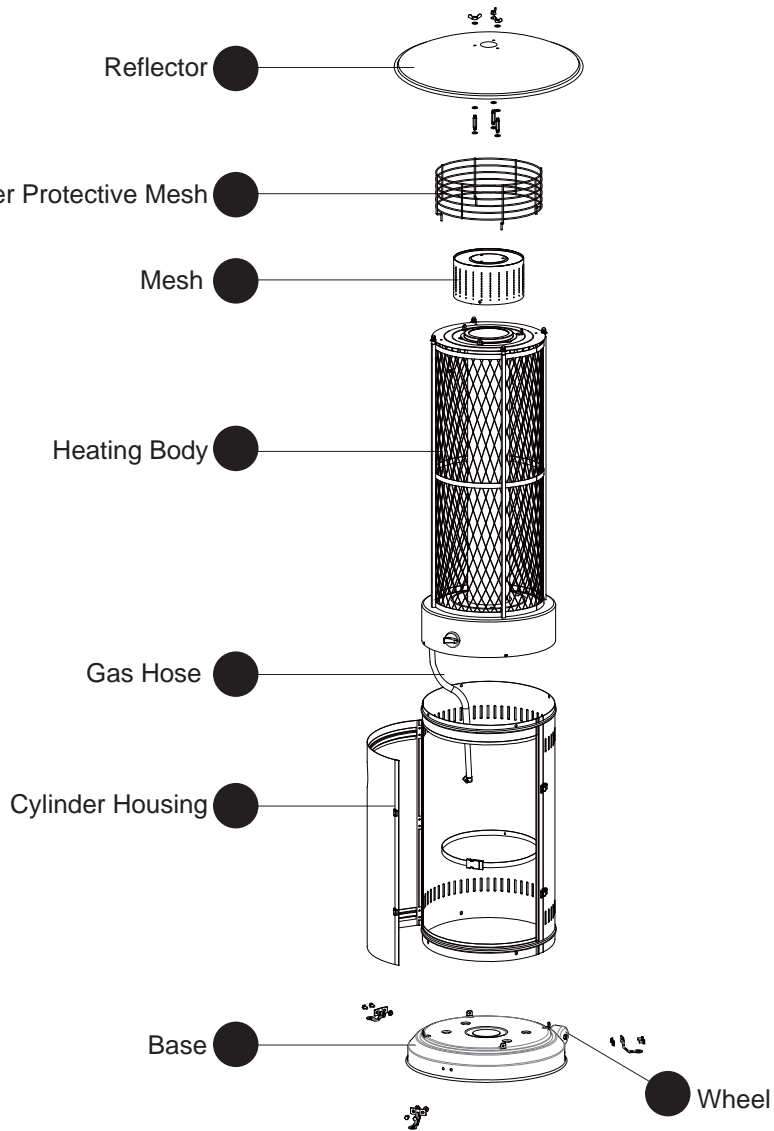
- The hose and regulator assembly must conform to local standard codes.
- Regulator outlet pressure should meet the corresponding appliance category in B. Specification.
- The appliance requires approved hose in 0.6m length.

# ASSEMBLY PARTS

## Tools needed:

- Philips screwdriver w/ medium blade
- Spray bottle of soap solution for leakage test

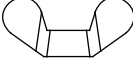

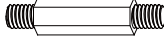
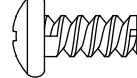
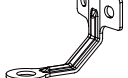
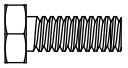

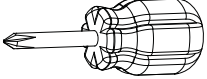
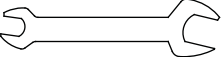
## Parts List:



PART	DESCRIPTION	QUANTITY
A	Reflector	1
B	Upper Protective Mesh	1
C	Mesh	1
D	Heating Body	1
E	Gas Hose	1
F	Cylinder Housing	1
G	Base	1
H	Wheel	1

# ASSEMBLY PARTS

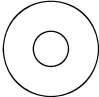
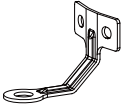
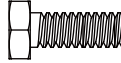
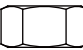
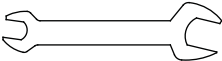
## HARDWARE CONTENTS (shown actual size)

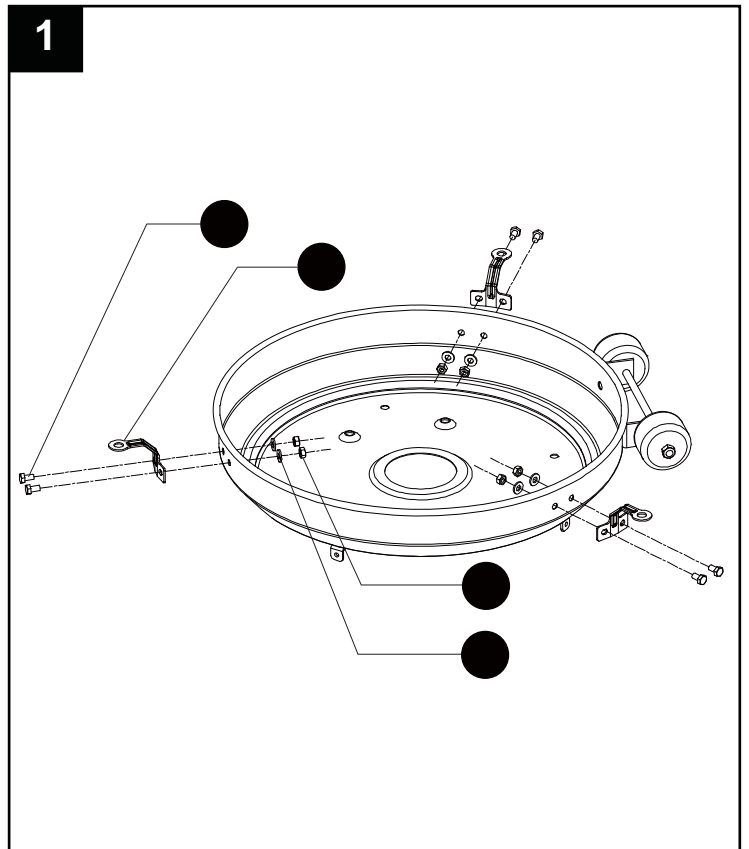
- AA**  Wing nut  
Qty. 3
- BB**  Washer  $\Phi 6$   
Qty. 15
- CC**  Stud  
Qty. 3
- DD**  Screw M5 X 10  
Qty. 11
- EE**  Ground Fixer  
Qty. 3
- FF**  Bolt M6 x 10  
Qty. 6
- GG**  Nut M6  
Qty. 6
- HH**  Philips screwdriver  
Qty. 1
- II**  Wrench  
Qty. 1

## ASSEMBLY PROCEDURES

1. To protect heater from strong wind, anchor the base securely to the ground with screws. Reverse the base, fix the ground fixer to the base with bolt M6X10 and washer  $\Phi 6$  like picture shows. Secure the ground fixer with nut M6. Fix another two ground fixer with bolts and nuts, and reverse the base.

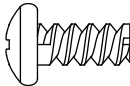
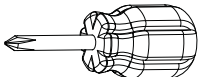
### Hardware Used

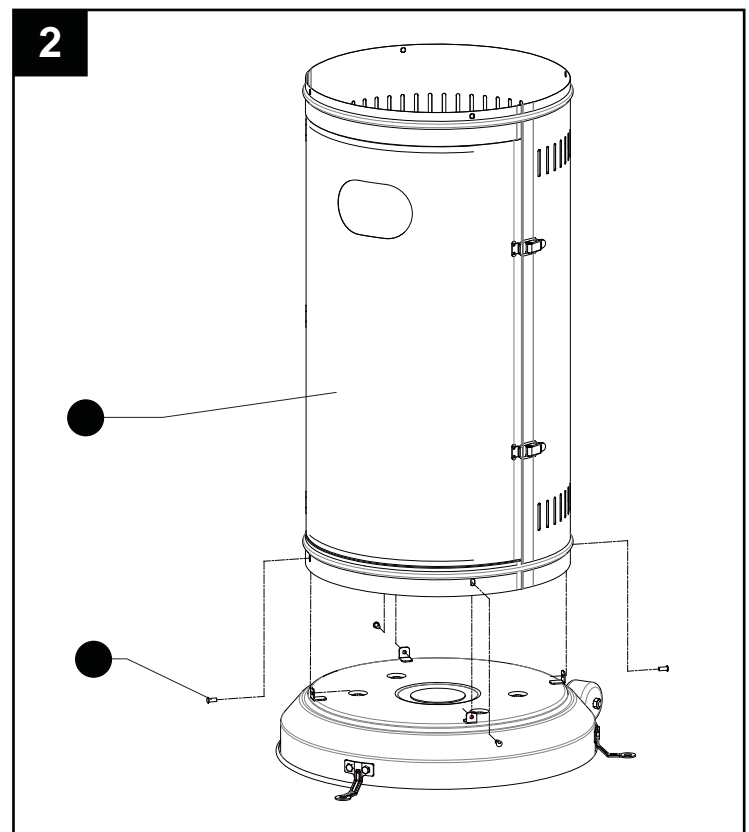
<b>BB</b>	Washer $\Phi 6$		x 6
<b>EE</b>	Ground Fixer		x 3
<b>FF</b>	Bolt M6X10		x 6
<b>GG</b>	Nut M6		x 6
<b>II</b>	Wrench		x 1



2. Assemble the tank housing. Secure the tank housing to the base using 4pcs screw M5X10.

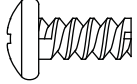
### Hardware Used

<b>DD</b>	Screw M5X10		x 4
<b>HH</b>	Philips screwdriver		x 1

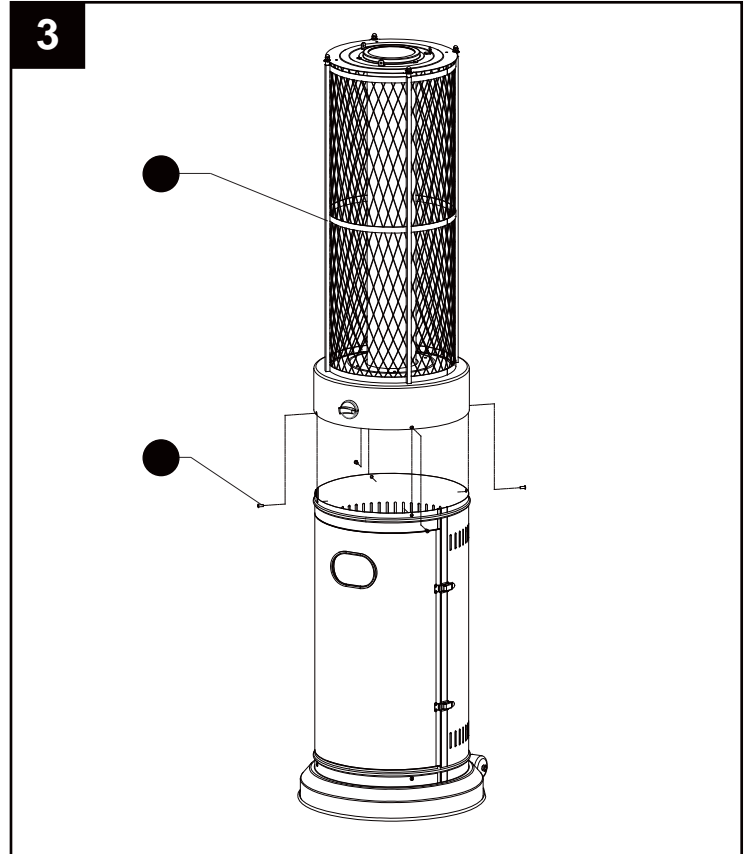


3. Assemble the heating body.  
Secure the heating body to the tank housing  
using 4pcs screw M5X10.

#### Hardware Used

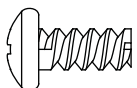
**DD** Screw M5X10  x 4

**HH** Philips  
screwdriver  x 1

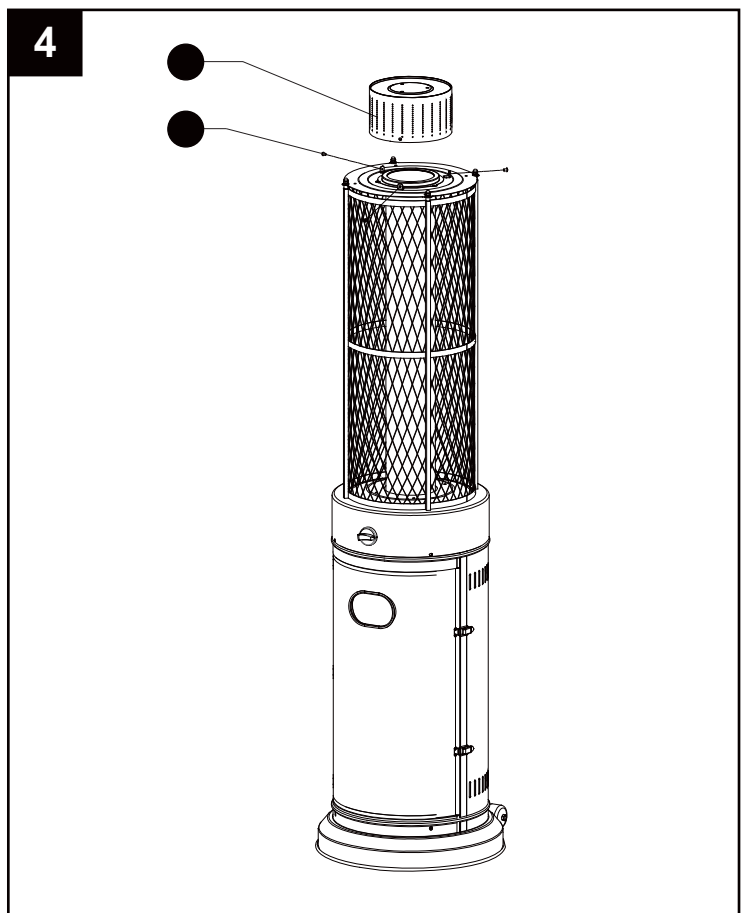


4. Assemble the mesh.  
Secure the mesh to the Heating Body using  
3pcs screw M5X10.

#### Hardware Used

**DD** Screw M5X10  x 3

**HH** Philips  
screwdriver  x 1



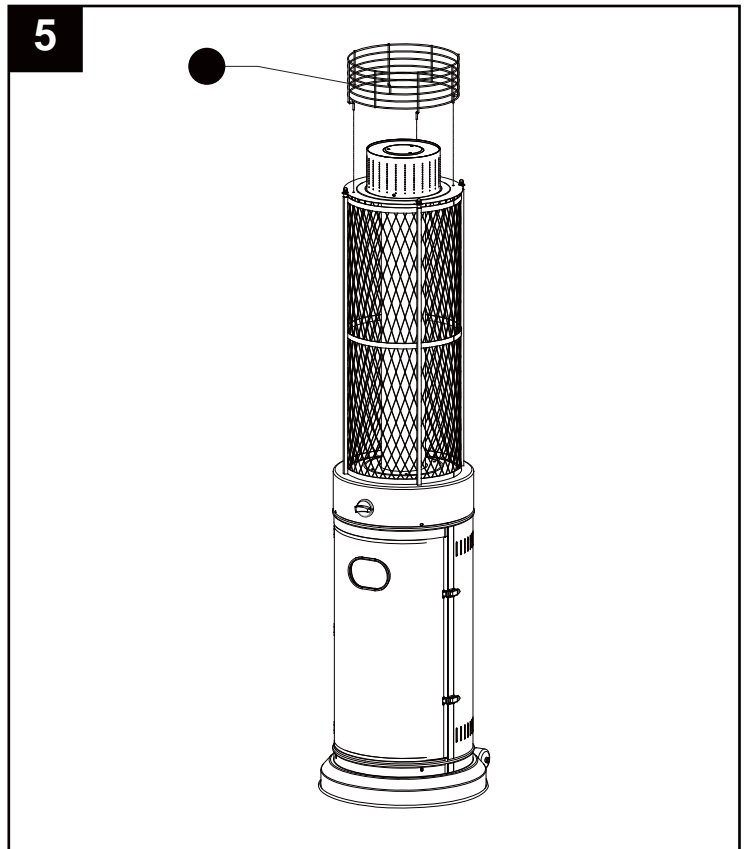
5. Assemble the upper protective mesh to the heating body directly.

**CAUTION: Do not hang clothing or any other flammable materials from the heater, or place on or near the heater. HOT! DO NOT TOUCH!**

**CAUTION-HOT SURFACE**

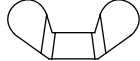
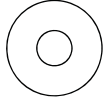
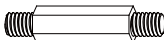


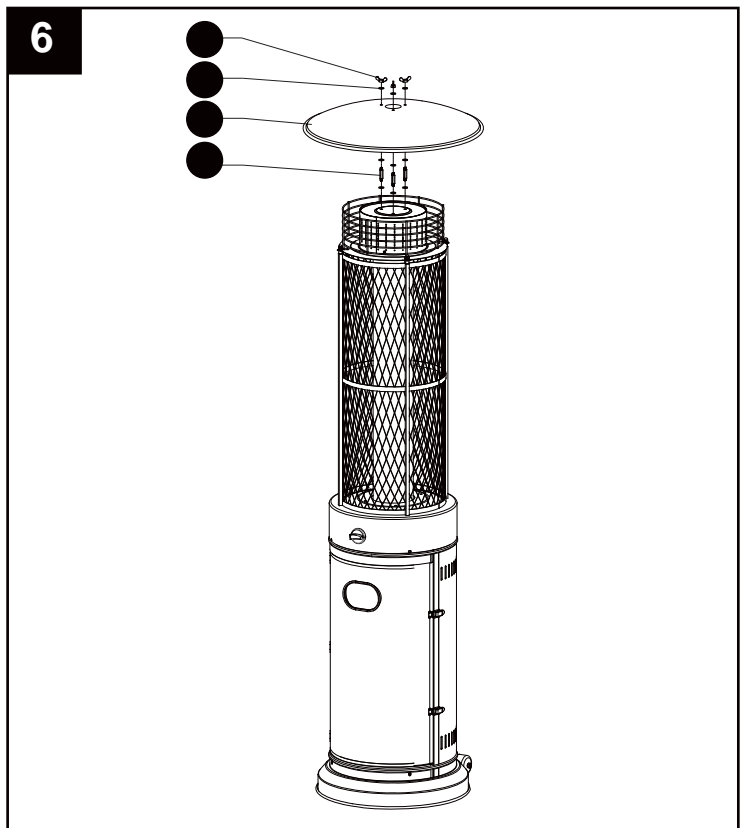
HOT WHILE IN OPERATION  
DO NOT TOUCH  
KEEP CHILDREN, CLOTHING  
FURNITURE AND FLAMMABLES AWAY



6. Assemble the reflector.  
a. Screw 3pcs stud to the top of mesh, using 3pcs washerΦ6 to the bottom and 3pcs washerΦ6 to the top.  
b. Put the reflector on the stud and secure them using 3pcs wing nut and 3pcs washer.

**Hardware Used**

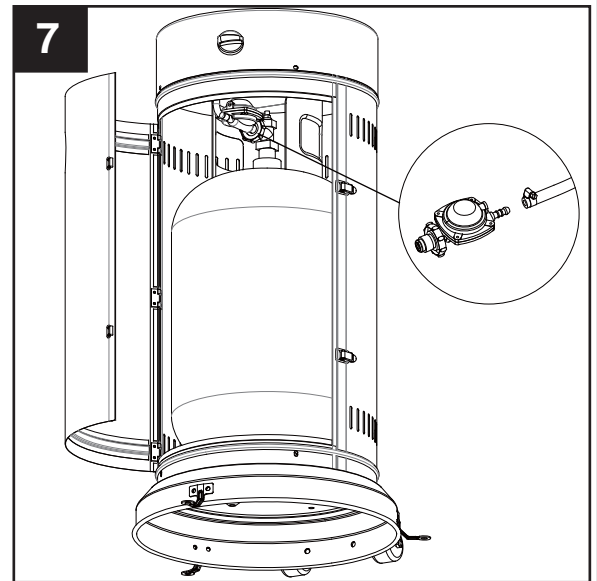
<b>AA</b>	Wing nut		x 3
<b>BB</b>	Washer Φ6		x 9
<b>CC</b>	Stud		x 3



7. Connect the gas hose and regulator after that connect the regulator to the gas cylinder.

**! WARNING!** Ensure the hose does not contact any high temperature surfaces, or it may melt and leak causing a fire.

After the cylinder is placed inside the heater, secure the cylinder with block belt tightly.



8. Leak Check.



**WARNING!** A leak test must be performed annually and each time a cylinder is hooked up or if a part of the gas system is replaced.



**WARNING!** Never use an open flame to check for gas leaks. Be certain no sparks or open flames are in the area while you check for leaks. Sparks or open flames will result in a fire or explosion, damage to property, serious bodily injury, or death.



**Leak testing:** This must be done before initial use, annually, and whenever any gas Components are replaced or serviced. Do not smoke while performing this test, and remove all sources of ignition. See Leak Testing Diagram for areas to check. Turn all burner controls to the off position. Turn gas supply valve on.

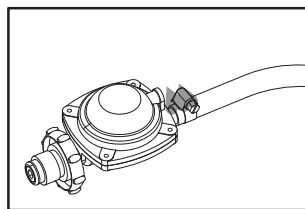


Brush a half-and-half solution of liquid soap and water onto all joints and connections of the regulator, hose, manifolds and valves.

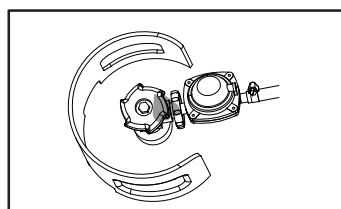


Bubbles will indicate a gas leak. Either tighten the loose joint or have the part replaced with one recommended by the Customer Care department and have the patio heater inspected by a certified gas installer.

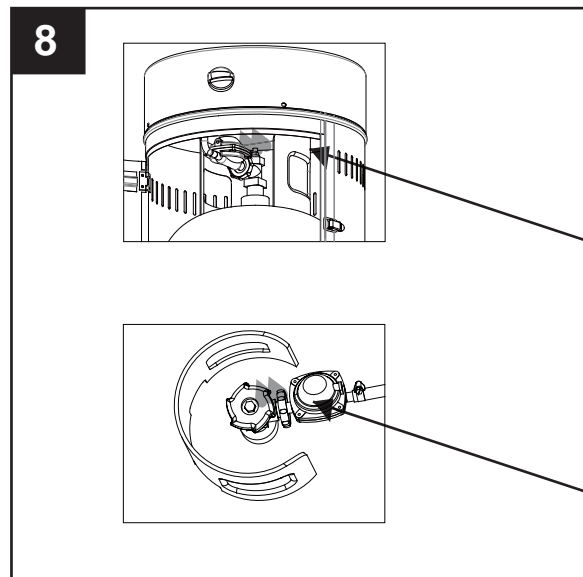
If the leak cannot be stopped, **immediately shut off the gas supply**, disconnect it, and have the patio heater inspected by a certified gas installer or dealer. Do not use the patio heater until the leak has been corrected.



Hose / Regulator connection



Regulator / Cylinder connection



# PROBLEMS CHECK LIST

<b><u>PROBLEM</u></b>	<b><u>PROBABLE CAUSE</u></b>	<b><u>SOLUTION</u></b>
Pilot will not light	Gas valve may be OFF Tank fuel empty Opening blocked Air in supply system Loose connections	Turn the gas valve ON Refill LPG tank Clean or replace opening Purge air from lines Check all fittings
Pilot will not stay on	Debris around pilot Loose connections Thermocouple bad Gas leak in line Lack of fuel pressure	Clean dirty area Tighten connections Replace thermocouple Check connections Tank near empty. Refill LPG tank.
Burner will not light	Pressure is low Opening blocked Control not ON Thermocouple bad Pilot light assembly bent Not in correct location	Tank near empty. Refill LPG tank. Remove and clean Turn valve to ON Replace thermocouple Place pilot properly Position properly and retry

If the appliance is in case of any defaults or problems of assembly or use, please don't try to modify it by yourself, contact your supplier or distributor to solve it.



## OUTBACK® WARRANTY

OUTBACK® heater are warranted for a period of one (1) year from the date of purchase to the original purchaser against defects in materials and workmanship, OUTBACK® will supply replacements for defective parts free of charge provided that:

- The product has not been used for trade, professional or hire purposes.
- The product has not been subjected to misuse or neglect, including fat fires and flare ups or use of a faulty or incorrect regulator.
- The product has not sustained damage through foreign objects, substances or accidents.
- The care and maintenance instructions given in your Outback manual have been followed.

If the product includes one or a number of parts or accessories, only the defective accessory or part will be replaced i.e. Hose, Regulator, Electric Ignitor and Reflector.

Fat fires are not covered under warranty.

Any warranty & guarantee claims shall be rendered void in the event of improper use of the heater or the use of non approved fuels, discolouration , rusting or slight deformation of parts exposed directly to the flames (burner) do not impair the function of the heater and do not form a basis for any claims.

This warranty is offered as an extra benefit and is in addition to the customers' statutory rights.

OUTBACK® does not in any way warranty the gas cylinder.

In the unlikely event that you experience problems with this heater, please fill in our warranty form at:

<http://www.outbackbarbecues.com/warranty-form>

One of our colleagues will be in contact with you shortly.

For reference and correspondence, record your serial number here.

(See sticker on side of barbecue body.)

**Serial No.** \_\_\_\_\_

This number may be required when ordering spare parts or accessories. A part reference number may also be required where applicable.

HELPLINE NUMBER: 0345 388 6032